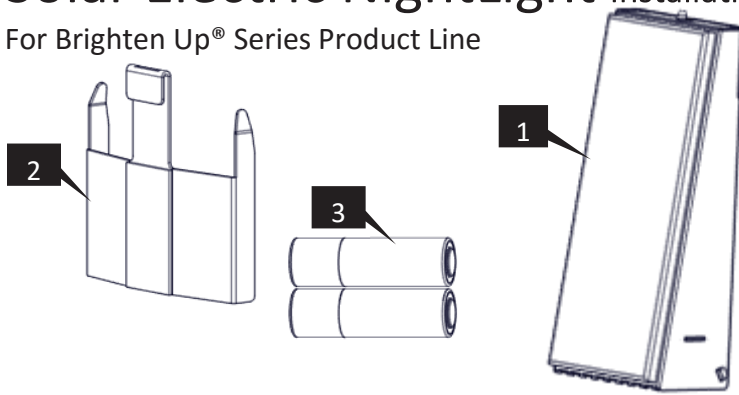


# Solar Electric NightLight Installation Instructions Appendix

For Brighten Up® Series Product Line



Parts List	Quantity
1 NightLight Housing Assembly	(1)
2 Mounting Bracket Assembly	(1)
3 Rechargeable Battery NIMH AA 1500 mAh 1.2V	(2)

**1 Install Mounting Bracket**  
Press Firmly on Mounting Bracket to Adhere Tape to Bottom Tube

Align Bracket with Tube Seam

Remove Paper Liner

Bottom Tube

**2 Install Extension Tube to Bottom Tube.**  
Seat Extension Tube over Bracket

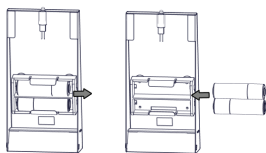
Extension Tube

Seat Extension Tube onto Mounting Bracket Here.

\*Top portion of Bottom Tube and Extension Tube have been ghosted to show detail.

**3 Install Night Light Housing Assembly**  
Extension Tube has been removed below to show detail

**4 Solar Electric Night Light Installation is Complete**  
Continue with Main Set of Installation Instructions (P/N 951780)



For Battery Replacement in the Solar Electric NightLight

1. Remove Solatube Decorative Fixture and Effect Lens
2. Remove Solar Electric NightLight housing assembly by gently lifting the assembly up and off of the mounting bracket. Remove the NightLight assembly from the tube.
3. Remove batteries from battery pack.
4. Insert batteries to the (+) and (-) marks inside the battery pack.

Warning: Replace with only (x2) NiMH (nickel-metal-hydride) rechargeable batteries (NiMH AA 1500 mAh 1.2V).



Always remove old, weak or worn-out batteries promptly and recycle or dispose of them in accordance with Local and National Regulations

For the most current Installation Instructions, please visit [www.solatube.com/instructions](http://www.solatube.com/instructions)

Solatube International, Inc. | [www.solatube.com](http://www.solatube.com) | T: 888.SOLATUBE



**SOLATUBE**

Innovation in Daylighting™